



**GIA**  
GEMOLOGICAL INSTITUTE OF AMERICA®

**New York Laboratory Headquarters**  
580 Fifth Avenue | New York, NY 10036-4794  
T: 212-221-5858 | F: 212-575-3095

**Carlsbad**  
5355 Armada Drive | Carlsbad, CA 92008-4699  
T: 760-603-4500 | F: 760-603-1814  
[www.gia.edu](http://www.gia.edu)

**SYNTHETIC COLORED DIAMOND GRADING REPORT**

**GIA REPORT 12345678**

January 1, 2007

Laser Inscription Registry ..... **GIA 12345678**  
Identification.....**LABORATORY GROWN\***  
Shape and Cutting Style ..... **Cushion Modified Brilliant**  
Measurements ..... 7.09 x 6.82 x 4.57 mm

**GRADING RESULTS**

Carat Weight..... **2.04 carat**  
Grade.....**INTENSE**  
Distribution.....**ORANGY YELLOW**  
Clarity Grade ..... **VERY SLIGHTLY INCLUDED**

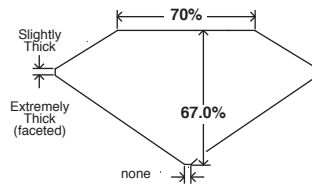
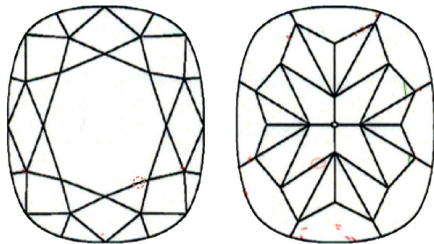
**ADDITIONAL GRADING INFORMATION**

Finish  
Polish ..... Good  
Symmetry ..... Good  
Fluorescence ..... Medium Yellow  
Comments:  
"LABORATORY GROWN" has been inscribed on the girdle.

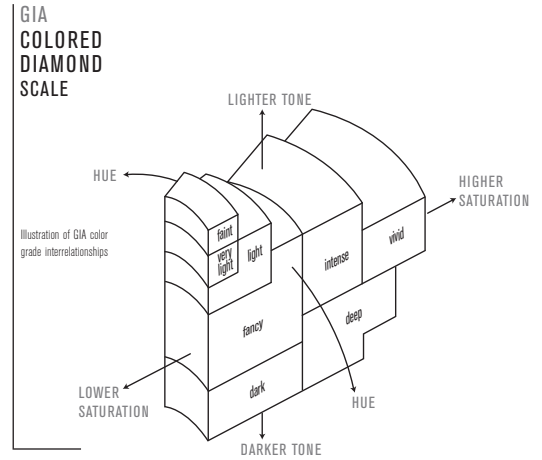
\* This is a man-made diamond and has been produced in a laboratory.

**\*\*SAMPLE\*\*SAMPLE\*\*SAMPLE\*\*SAMPLE\*\*SAMPLE\*\***

**REFERENCE DIAGRAMS**



Profile not to actual proportions.



**KEY TO SYMBOLS**

- Flux
- Metallic Inclusion
- ▲ Crystal Surface
- ▲ Indented Crystal Surface

Red symbols denote internal characteristics (inclusions). Green or black symbols denote external characteristics (blemishes). Diagram is an approximate representation of this stone, and symbols shown indicate type, position, and approximate size of clarity characteristics. All clarity characteristics may not be shown. Details of finish are not shown.

This Report is not a guarantee, valuation or appraisal and contains only the characteristics of the synthetic diamond described herein after it has been graded, tested, examined and analyzed by the GIA Laboratory and/or has been inscribed using the techniques and equipment used by the GIA Laboratory at the time of the examination and/or inscription. Incriptions reported in this document are not a guarantee, validation, or warranty of an article's quality, country of origin or source; or that the article will be identifiable by the inscription in the future (since inscriptions can be removed). GIA makes no representation concerning any trademark, word, or symbol which is inscribed by GIA or which is identified on this Report. The recipient of this Report may wish to consult a credentialed jeweler or gemologist about the information contained herein.



The security features in this document, including the hologram, security screen and microprint lines, in addition to those not listed, exceed document security industry guidelines.

**IMPORTANT LIMITATIONS ON BACK**  
©2007 GEMOLOGICAL INSTITUTE OF AMERICA, INC.



**GIA**  
GEMOLOGICAL INSTITUTE OF AMERICA®

The World's Foremost Authority in Gemology™

Established in 1931, the Gemological Institute of America (GIA) is an independent, nonprofit organization dedicated to serving the jewelry industry and ensuring the public trust. Through its education, research, and laboratory services, the Institute upholds the highest standards of integrity, academics, science, and professionalism.

The GIA Laboratory is regarded as the world's most respected authority on diamond grading and gem identification. It grades and identifies the vast majority of the finest diamonds and gemstones in existence and its diamond grading reports are internationally recognized as the benchmark of excellence. When gem and jewelry professionals turn to the GIA Laboratory and its staff of more than 700, they place their confidence in the Institute's unparalleled reputation for quality, accuracy, and expertise.

With headquarters in the heart of New York City's famous diamond and jewelry district, and a second state-of-the-art laboratory in Carlsbad, California, GIA is the unquestioned leader in its field, serving the gem and jewelry industry and the public.

#### GIA LABORATORY HEADQUARTERS

580 Fifth Avenue, Suite 200  
New York, New York 10036-4794  
T: 212-221-5858  
F: 212-575-3095

#### WEST COAST LABORATORY

5355 Armada Drive, Suite 200  
Carlsbad, California 92008-4699  
T: 760-603-4500  
F: 760-603-1814

#### RESEARCH CENTERS

New York      Antwerp  
Carlsbad      Bangkok

For information about GIA Laboratory Services, visit our Web site at [www.gia.edu](http://www.gia.edu), or call Client Services in New York at 212-221-5858 or in California at 760-603-4500.



**GIA**  
GEMOLOGICAL INSTITUTE OF AMERICA®



**GIA**  
GEMOLOGICAL INSTITUTE OF AMERICA®

IMPORTANT DOCUMENT, STORE SAFELY

GIA Grading Report

©2007 GEMOLOGICAL INSTITUTE OF AMERICA, INC. ALL RIGHTS RESERVED.